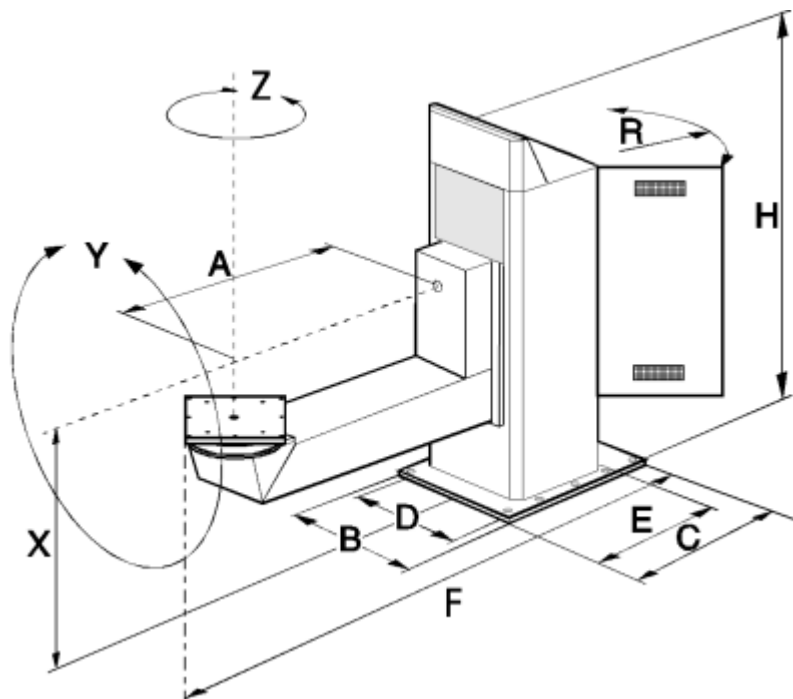
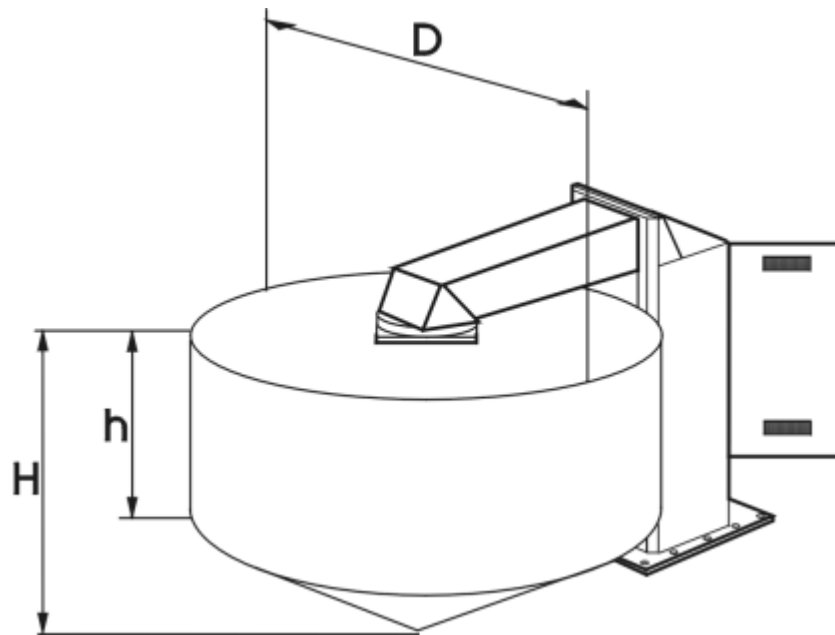


Introducing
ERGO·CONTROL
 PROGRAMMABLE AND MANUAL POSITIONERS



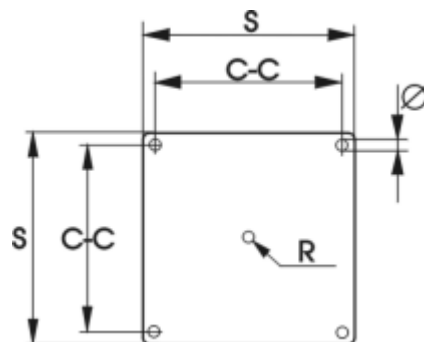
Technical Data

Model:	150	300	750	1500	3000
Max load	150 kg	300 kg	750 kg	1500 kg	3000 kg
A. Arm Length	500 mm	650 mm	1000 mm	1400 mm	1400 mm
B. Stand Width	500 mm	712 mm	855 mm	960 mm	1660 mm
C. Stand Depth	600 mm	950 mm	1100 mm	1300 mm	1380 mm
D. Body Width	450 mm	555 mm	710 mm	805 mm	907 mm
E. Body Depth	950 mm	665 mm	825 mm	935 mm	1090 mm
F. Total Depth	1450 mm	1950 mm	2580 mm	3320 mm	3420 mm
H. Max Body Height	1950 mm	1880 mm	2410 mm	2410 mm	2410 mm
R. Rear Cabinet	450 mm	560 mm	700 mm	795 mm	795 mm
X- Vertical Travel	435-1215 mm	540-1320 mm	720-1740 mm	675-1695 mm	835-1855 mm
Y- Rotation	unlimited	unlimited	unlimited	unlimited	unlimited
Z- Rotation	unlimited	unlimited	unlimited	unlimited	unlimited
Lifting Speed	4.8 m/min	7.5 m/min	3.5 m/min	7.0 m/min	3.5 m/min
Rotation Speed -Y	5 rpm	6.5 rpm	3.5 rpm	2.7 rpm	2.7 rpm
Rotation Speed -Z	5 rpm	6.5 rpm	4.8 rpm	2.7 rpm	2.7 rpm
Total Effect (KW/A)	0.7/10	2.25/16	4.5/25	7.4/25	8.2/25



Volume - Work Piece (standard arm length)

Model:	150	300	750	1500	3000
D	1000 mm	1300 mm	2000 mm	2800 mm	2800 mm
h	1200 mm	1290 mm	1690 mm	1260 mm	1260 mm
H	1300 mm	1465 mm	2000 mm	2000 mm	2000 mm



Standard Fixture Plate

Model:	150	300	750	1500	3000
S	330 mm	360 mm	500 mm	520 mm	520 mm
C-C	294 mm	320 mm	440 mm	440 mm	440 mm
O	18 mm	18 mm	25 mm	25 mm	25 mm
R	R1/4	R1/2	R1/2	R1/2	R1/2